

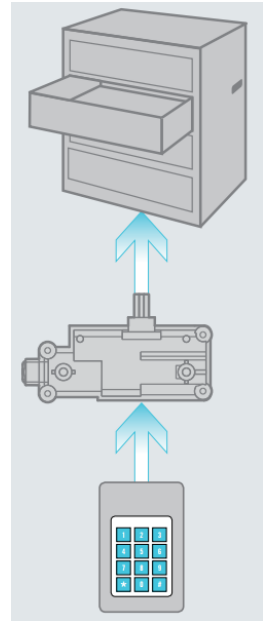
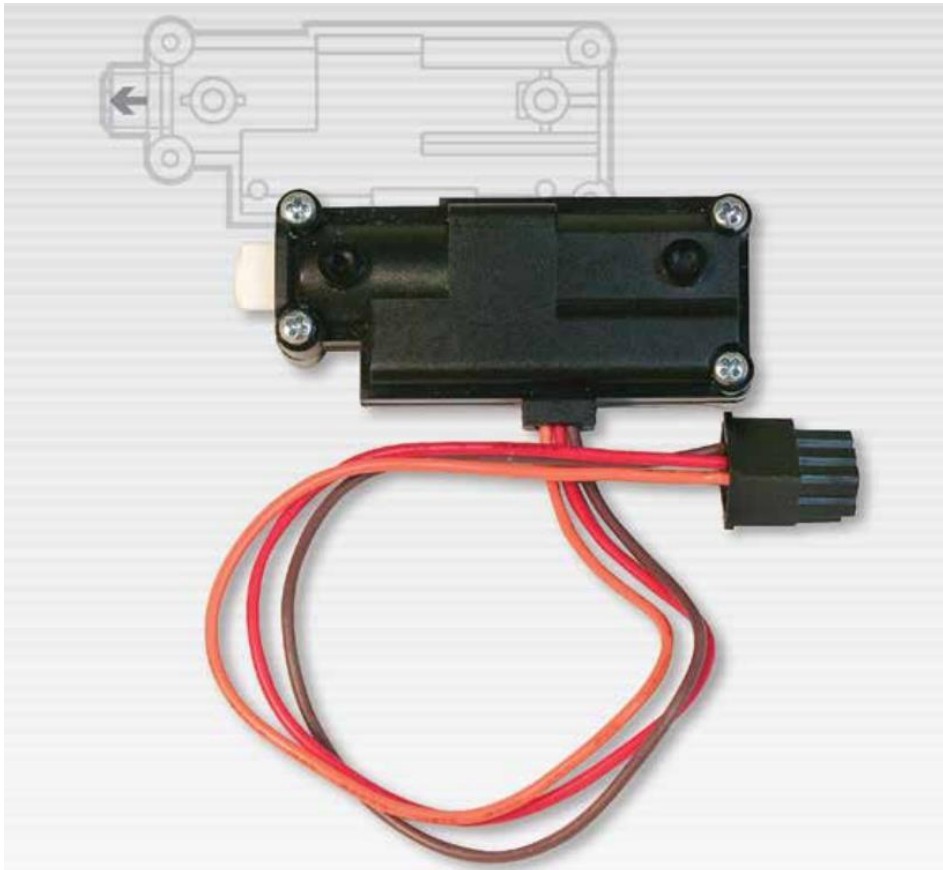
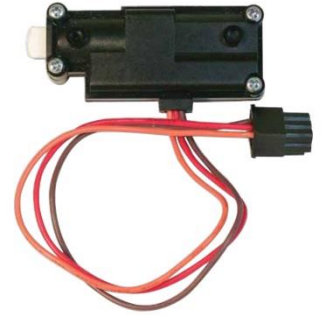
R4-EM Electronic Actuator

Electronic access

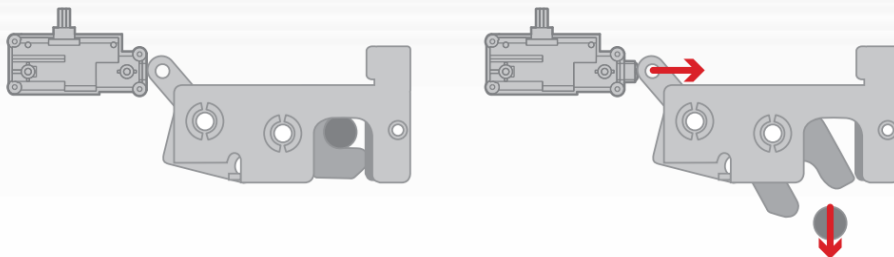
Southco's R4-EM Electronic Actuator provides proven, intelligent locking functionality in a compact, lightweight package. With its small profile design, flexible interface and efficient operating efforts, the R4-EM Electronic Actuator is ideal for concealed applications where physical space and power constraints are a challenge.

Features

- Small footprint for limited-space applications
- Convenient, compact, lightweight design
- 8-26 DC operation, minimal current consumption
- Accepts control inputs from any access control device
- Available in auto and delayed actuation versions



Using an auto-actuation version apply push force on mechanical system



Applying control signal to actuator causes the cam /follower of the actuator to extend and pushes onto trigger of mechanical latch.

Actuator cam/follower is pushed into a retracted position by the spring loaded force on the trigger of mechanical latch.

R4-EM Electronic Actuator

Electronic access

Material

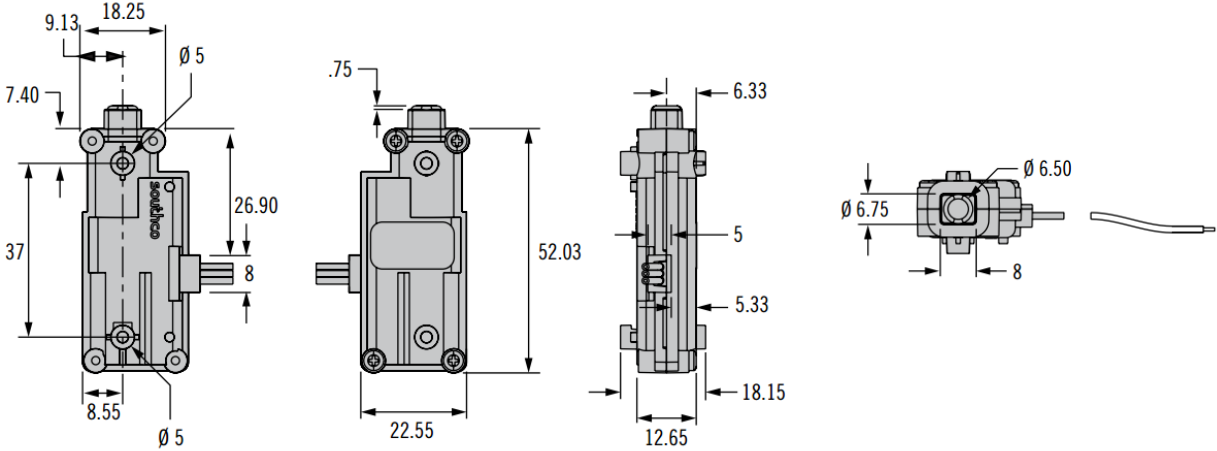
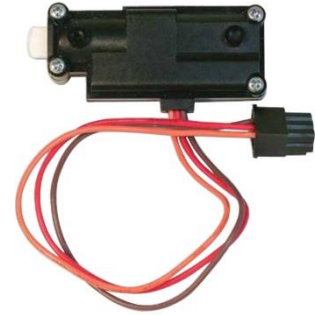
- Electronic actuator housing: PC / ABS / Acetal
- Components: Metal

Wire Color Code / Connector Pin Assignment:

- PIN 1: Brown: Ground (-)
- PIN 2: Red: Power 12 to 24 Volts DC
- PIN 3: Orange: Control signal 8 to 26 Volts DC

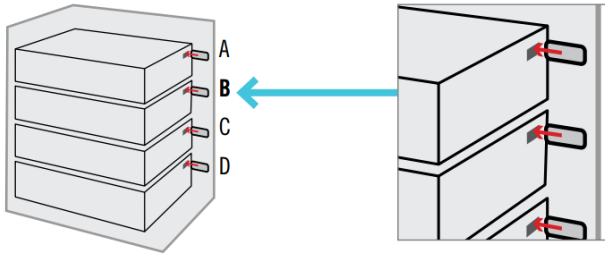
Electrical Specifications

- Recommend operating voltage: 8 to 26 VDC
- Standby Current: 185 μ A
- Typical operating current: Less than 500 mA @ 12 VDC
- Input signal current draw: 25mA max at 24 VDC

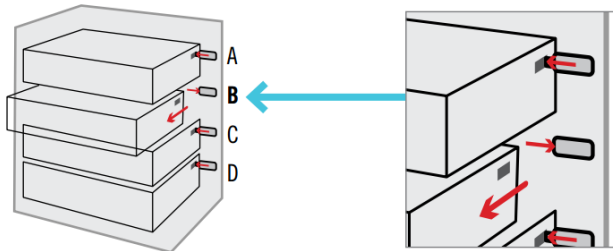


Operation

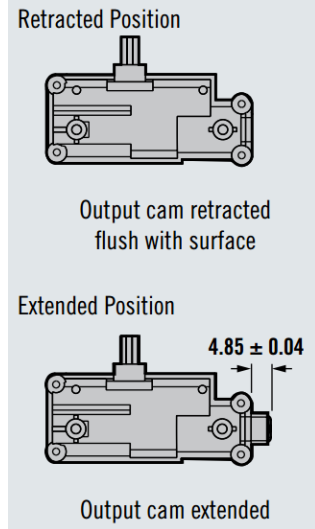
Using a delayed actuation version to block movement



1. Remove control signal to actuator B causes the cam to retract from slot.



2. Drawer slide mechanism is now free to move.



| R4-EM Actuator Parts | | | | |
|----------------------|-------------------|-------------------|-------------------|-------------------|
| Type | Auto | | Delayed | |
| | With Connector | Without Connector | With Connector | Without Connector |
| | 150mm wire length | 425mm wire length | 150mm wire length | 425mm wire length |
| 3-Wire | R4-EM-21-31 | R4-EM-21-32 | R4-EM-21-33 | R4-EM-21-34 |
| 2-Wire | R4-EM-21-21 | R4-EM-21-22 | | |